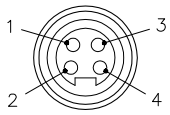
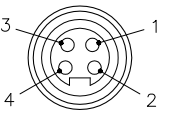
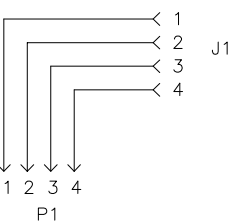
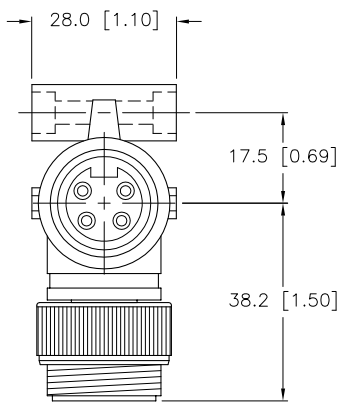
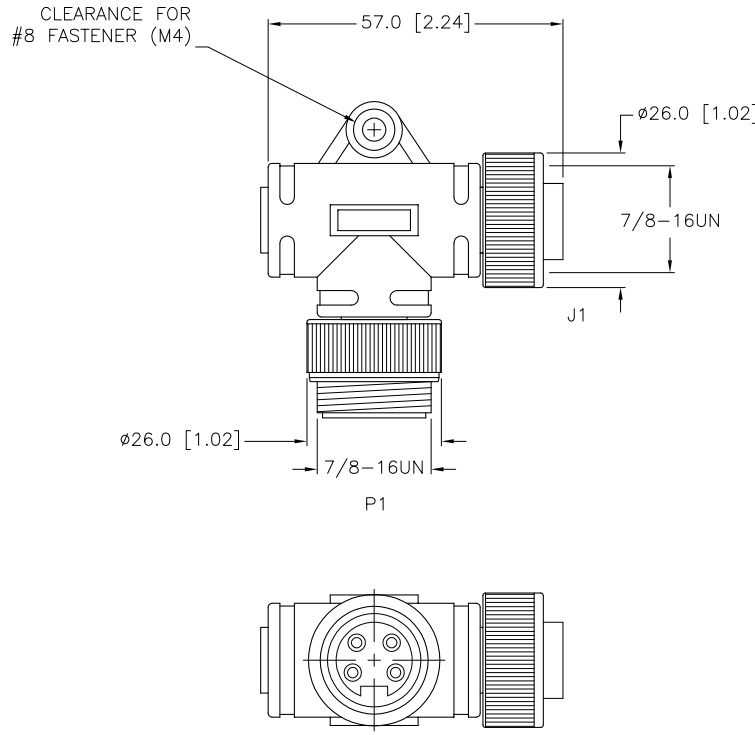
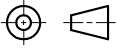


MALE END VIEW	FEMALE END VIEW	WIRING SCHEMATIC	SPECIFICATIONS																	
			<table border="1"> <tr><td>CONTACT CARRIER MATERIAL/COLOR</td><td>TPU/YELLOW</td></tr> <tr><td>MOLDED HEAD MATERIAL/COLOR</td><td>TPU/YELLOW</td></tr> <tr><td>CONTACT MATERIAL/PLATING</td><td>BRASS/GOLD</td></tr> <tr><td>COUPLING NUT MATERIAL/FINISH</td><td>STAINLESS STEEL/PASSIVATED</td></tr> <tr><td>RATED CURRENT [A]</td><td>9.0 A</td></tr> <tr><td>RATED VOLTAGE [V]</td><td>250 V</td></tr> <tr><td>TEMPERATURE RATING</td><td>-40°C to +80°C (-40°F to +176°F)</td></tr> <tr><td>PROTECTION CLASS</td><td>MEETS NEMA 1,3,4,6P AND IEC IP67</td></tr> </table>	CONTACT CARRIER MATERIAL/COLOR	TPU/YELLOW	MOLDED HEAD MATERIAL/COLOR	TPU/YELLOW	CONTACT MATERIAL/PLATING	BRASS/GOLD	COUPLING NUT MATERIAL/FINISH	STAINLESS STEEL/PASSIVATED	RATED CURRENT [A]	9.0 A	RATED VOLTAGE [V]	250 V	TEMPERATURE RATING	-40°C to +80°C (-40°F to +176°F)	PROTECTION CLASS	MEETS NEMA 1,3,4,6P AND IEC IP67	
CONTACT CARRIER MATERIAL/COLOR	TPU/YELLOW																			
MOLDED HEAD MATERIAL/COLOR	TPU/YELLOW																			
CONTACT MATERIAL/PLATING	BRASS/GOLD																			
COUPLING NUT MATERIAL/FINISH	STAINLESS STEEL/PASSIVATED																			
RATED CURRENT [A]	9.0 A																			
RATED VOLTAGE [V]	250 V																			
TEMPERATURE RATING	-40°C to +80°C (-40°F to +176°F)																			
PROTECTION CLASS	MEETS NEMA 1,3,4,6P AND IEC IP67																			



SOURCE DRAWING - FOR REFERENCE ONLY

RELATED DOCUMENTS 1. 2. 3. 4.		3RD ANGLE PROJECTION 	THIS DRAWING IS PROPERTY OF TURCK INC. USE OF THIS DOCUMENT WITHOUT WRITTEN PERMISSION IS PROHIBITED.		<div style="display: flex; justify-content: space-between;"> <div data-bbox="1480 1307 1848 1372"> TURCK INC <i>High Technology Sensors and Automation Controls</i> </div> <div data-bbox="1869 1291 2058 1396"> 3000 CAMPUS DRIVE MINNEAPOLIS, MN 55441 1-800-544-7769 (763) 553-7300 (763) 553-0708 fax turck.com </div> </div>	
MATERIAL		ALL DIMENSIONS DISPLAYED ON THIS DRAWING ARE FOR REFERENCE ONLY	DRFT RWC DSGN	DATE 04/15/10 SCALE 1=1.5	DESCRIPTION WSV RKV 40	
FINISH		CONTACT TURCK FOR MORE INFORMATION	UNIT OF MEASUREMENT MILLIMETER [INCH] DO NOT SCALE THIS DRAWING		IDENTIFICATION NO. U2-17335	REV A
A	DRAWING RELEASE	RWC	04/15/10			
REV	DESCRIPTION	BY	DATE	ECO NO.	FILE: U2-17335	SHEET 1 OF 1